

规格承认书

Specification for approval

产品名称: **BFMN-S 迷你插片汽车保险丝 32V**

**Product Type: UL Standard V-0 Self-extinguising ATM
APM Micro MINI Blade Auto Fuse 11mm 15A 32V Blue 10A
7.5A 5A For Car Truck Boat**

Ao littel Technology Co.Ltd.

Bld. 16,Yanhe East Road,Xiangdong Village, Dongguan 523833,
Guangdong,China

H.P.: 1371362419

QQ #: 3217998702

<http://www.passivemall.com/>

Fax #:0769-89390418

Email : eric.lye@aolittel.com

<http://www.aolittel.com/>

1. Scope

The BFMN-S is a blade fuse with excellent self-extinguishing properties equivalent to UL standard V-0

2. General Specifications

Rated Voltage: DC32V and less

Breaking Capacity: 1000A

Operation Temperature: -40°C - 80°C

Standard: ISO8820-3

3. Time-Current Characteristics

% of Ampere Rating(A)	Operating Time	
	MIN	MAX
110%	100 hrs.	-
135%	0.75 sec.	600 sec.
160%	0.25 sec.	50 sec.
200%	0.15 sec.	5 sec.
350%	0.04 sec.	0.5 sec.
600%	0.02 sec.	0.1 sec.

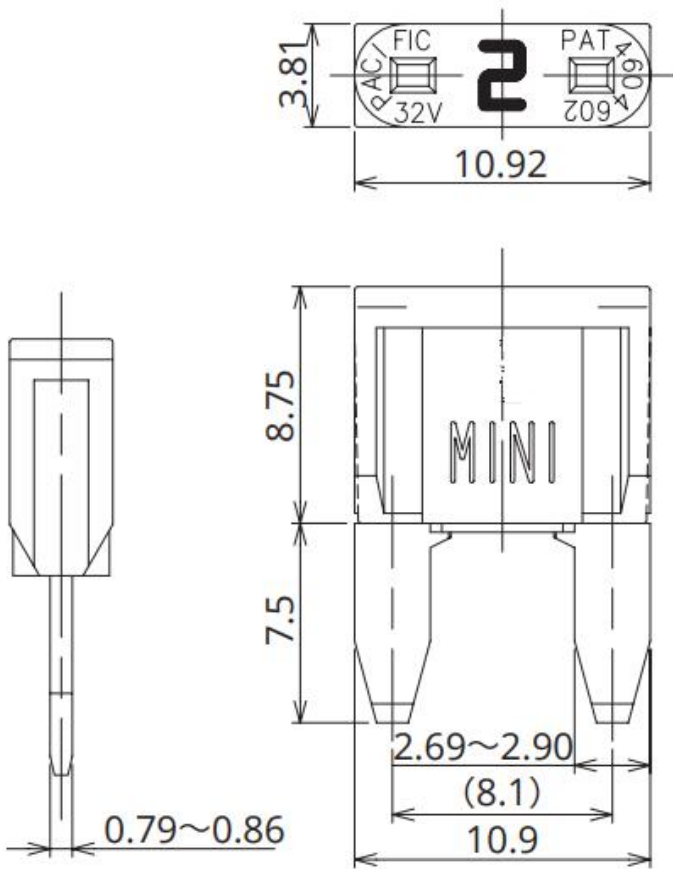
※The fuse characteristic may change depending on the conditions of use.

4. Electrical Performances

Ampere Rating(A)	Part Number	Housing Colors	Resistance Value	Voltage Drop
5A	1271	Tan	16.7 mΩ	112 mV
7.5A	1272	Brown	11.1 mΩ	112 mV
10A	1273	Red	7.82 mΩ	106 mV
15A	1274	Blue	4.93 mΩ	99 mV

※The fuse characteristic may change depending on the conditions of use.

5. Dimension (mm)



6. Time-Current Characteristics Chart

